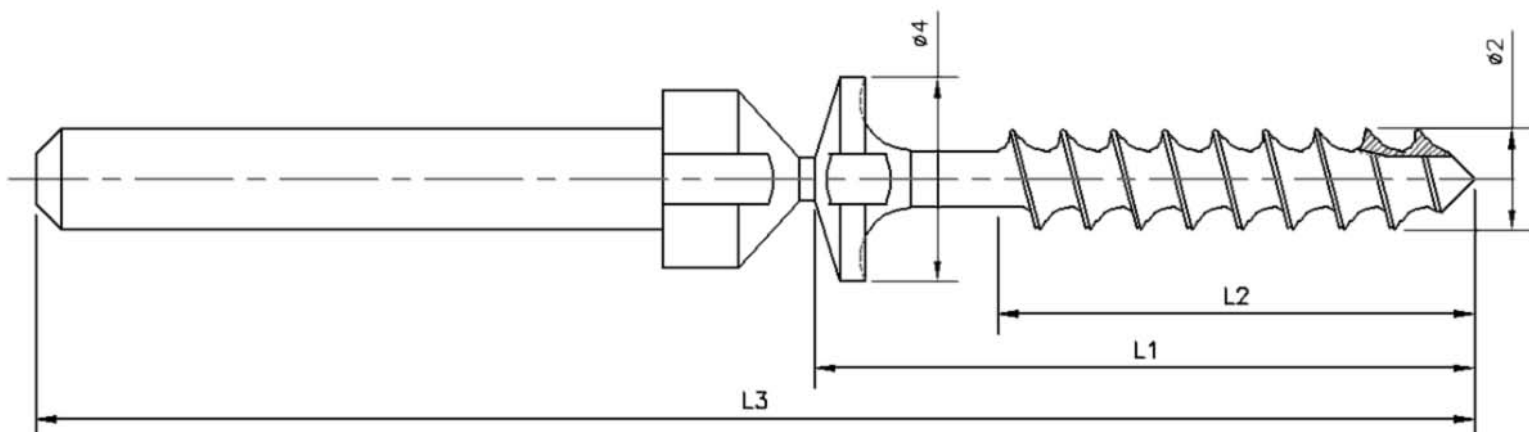




IMPLANTS

I N T E R N A T I O N A L

T R A U M A T O L O G Y



CATALOGUE NUMBER	TS8170	TS8171	TS8172	TS8173
LENGTHS (L1)	11	12	13	14
LENGTHS (L2)	7.2	8.2	9.2	10.2
LENGTHS (L3)	26.4	27.4	28.4	29.4

OSTEOTOMIES
with **SNAP-OFF TITANIUM SCREWS**