



femur neck  
nailing system



Delta-FN™  
Anatomical Nail System



# DELTA-FN™ FEMUR NECK NAIL SYSTEM

This anatomical nail system is a further development on the established patented system, which has been in use since 1986.

## DELTA-FN™ Nail

Dia	Length	Orientation	Cat #
12mm	340mm	Left	IM7414
12mm	340mm	Right	IM7419
12mm	360mm	Left	IM7415
12mm	360mm	Right	IM7420

Material: Stainless Steel

## DELTA-FN™ Scoop

Dia	Cat #
100mm	IM7418
110mm	IM7417

Material: Stainless Steel

## DELTA-FN™ Scoop Locking Screws

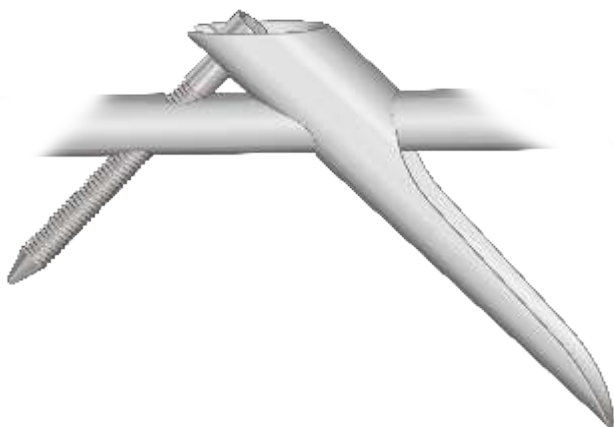
Dia	Length	Cat #
6mm	35mm	TS7670
6mm	40mm	TS7502
6mm	45mm	TS7503

Material: Stainless Steel

## DELTA-FN™ Taper Lock Bi-Cortical Screws

Dia	Length	Cat #
5 x 7mm	20mm	TS7658
5 x 7mm	25mm	TS7659
5 x 7mm	30mm	TS7660
5 x 7mm	35mm	TS7661
5 x 7mm	40mm	TS7662

Material: Stainless Steel



Instrument Kit: 1 Tray System  
Surgical Technique: Ref ST# 020/01

Sept 09

DISTRIBUTED BY



Manufactured in the UK

Implants International Ltd  
71 Jay Avenue, Teesside Industrial Estate  
Thornaby-on-Tees, TS17 9LZ, United Kingdom  
tel: +44(0)1642 769080 fax: +44(0)1642 765848  
e-mail: enquiries@implantsinternational.com  
web: www.implantsinternational.com