



IMPLANTS

INTERNATIONAL

ARTHROPLASTY

Xpansys™ Acetabular Cup
Sizes range from 46-62mm
in 2mm increments



Xpansys™ Polymer Insert
for Ø28mm Head

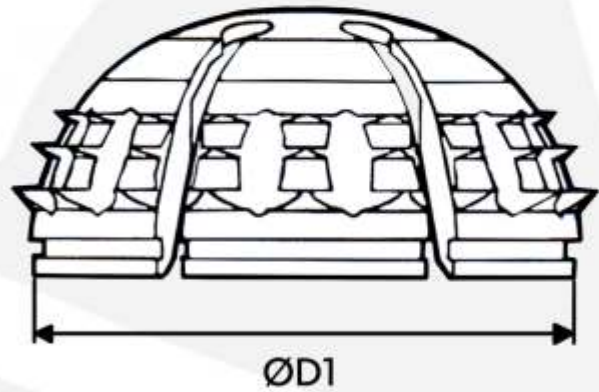


XPANSYS™ ACETABULAR CUP



Xpansys™ Acetabular Cup

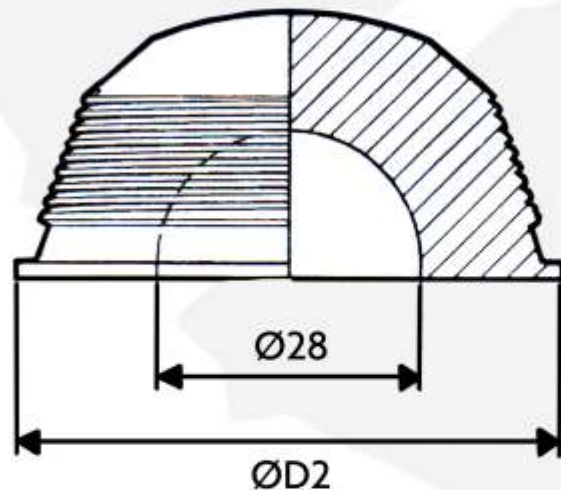
Size Ø (D1 mm)	Cat#
46	AS4127
48	AS4128
50	AS4129
52	AS4130
54	AS4131
56	AS4132
58	AS4133
60	AS4134
62	AS4135



Material: 6/4 Titanium Alloy with rough ceramic blast finish

Xpansys™ Acetabular Cup Polymer Insert

Size Ø (D2 mm)	Cat#
46	AL3847
48	AL3848
50	AL3849
52	AL3850
54	AL3851
56	AL3852
58	AL3853
60	AL3854
62	AL3855



Material: Low calcium stearate super pressed UHMPE

April 10

DISTRIBUTED BY



Manufactured in the UK

Implants International Ltd
 71 Jay Avenue, Teesside Industrial Estate
 Thornaby-on-Tees, TS17 9LZ, United Kingdom
 tel: +44(0)1642 769080 fax: +44(0)1642 765848
 e-mail: enquiries@implantsinternational.com
 web: www.implantsinternational.com