



IMPLANTS

I N T E R N A T I O N A L

A R T H R O P L A S T Y

Ø22, 225, Ø26 and Ø28mm head
Bi-Polar assemblies. Sizes range
from 38 to 62mm in 1mm increments.

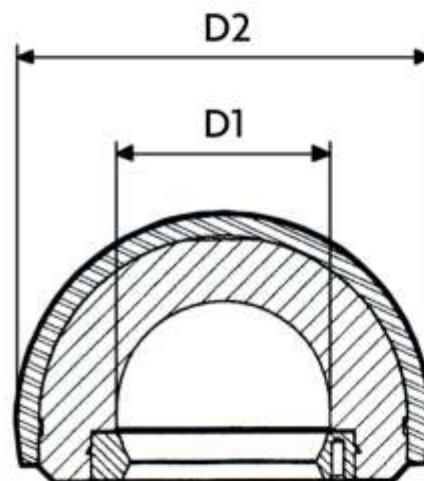
Modular Locking Bi-polar Cup

RING-LOK™
BI-POLAR



Ring-Lok™ Bi-Polar

| INSIDE Ø (D1 MM) | OUTSIDE Ø (D2 MM) | CAT# |
|---------------------|----------------------|---------|
| 22.225 | 38 | BP2379 |
| 22.225 | 39 | BP2380 |
| 22.225 | 40 | BP2381 |
| 22.225 | 41 | BP2382 |
| 22.225 | 42 | BP2383 |
| 22.225 | 43 | BP2384 |
| 22.225 | 44 | BP2385 |
| 22.225 | 46 | BP2386 |
| 26 | 42 | BP 2370 |
| 26 | 43 | BP2387 |
| 26 | 44 | BP2371 |
| 26 | 45 | BP2388 |
| 28 | 46 | BP2372 |
| 28 | 47 | BP2389 |
| 28 | 48 | BP2374 |
| 28 | 49 | BP2390 |
| 28 | 50 | BP2374 |
| 28 | 51 | BP2391 |
| 28 | 52 | BP2375 |
| 28 | 53 | BP2392 |
| 28 | 54 | BP2376 |
| 28 | 55 | BP2393 |
| 28 | 56 | BP2377 |
| 28 | 57 | BP2394 |
| 28 | 58 | BP2378 |
| 28 | 59 | BP2395 |
| 28 | 60 | BP2396 |
| 28 | 61 | BP2397 |
| 28 | 62 | BP2398 |



Bi-Polar Cup Forceps IN9960



Material:

Shell - High quality chrome cobalt to ISO 5832-4

Insert - Poly is via low calcium stearate super pressed UHMPE and packed in nitrogen enriched pouches to mitigate effects of oxidation during gamma sterilisation

Mar 10



Manufactured in the UK

DISTRIBUTED BY

Implants International Ltd
 71 Jay Avenue, Teesside Industrial Estate
 Thornaby-on-Tees, TS17 9LZ, United Kingdom
 tel: +44(0)1642 769080 fax: +44(0)1642 765848
 e-mail: enquiries@implantsinternational.com
 web: www.implantsinternational.com